

# MAXEON 6 AC SOLAR PANEL

420-435 W | Up to 22.5% Efficient

 Factory-integrated  
AC microinverter



White backsheet,  
black frame

## More Lifetime Energy

Designed to maximise energy generation through leading efficiency, enhanced performance in high temperatures, and higher energy conversion in low-light conditions like mornings, evenings and cloudy days.

## Uncompromising Reliability

Engineered to power through all types of weather conditions with crack-resistant cells and reinforced connections that protect against fatigue and corrosion. Each panel's microinverter enables independent panel operation to mitigate the impact of shade while improving system performance.



## Superior Sustainability

Clean ingredients, responsible manufacturing, and lasting energy production for 40 years make SunPower Maxeon panels the most sustainable choice in solar.



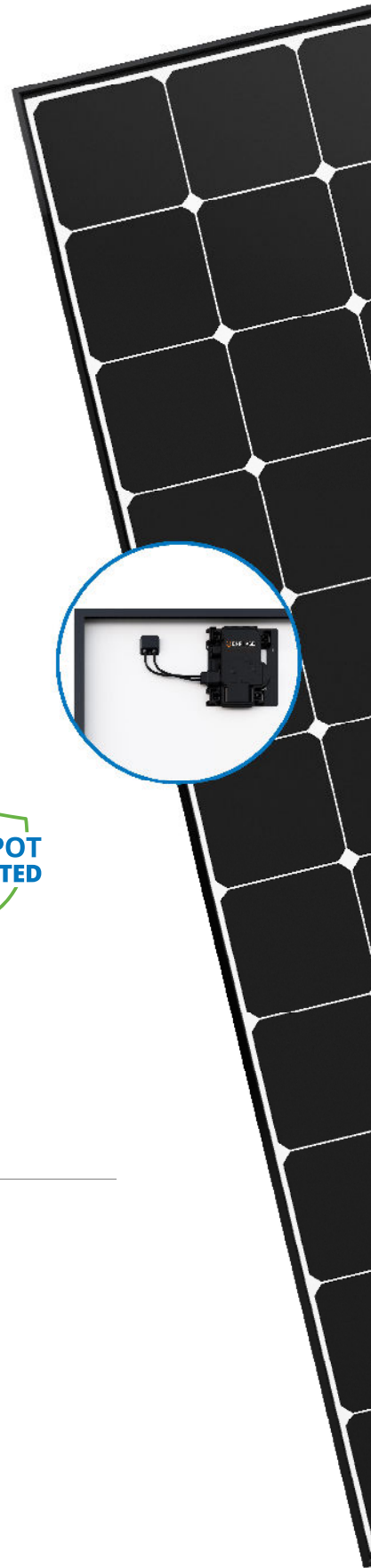
## The Industry's Longest Warranty

SunPower Maxeon panels are covered by a 40-year warranty<sup>1</sup> backed by extensive third-party testing and field data from more than 33 million panels deployed worldwide.

Product and power coverage	40 Years
Year 1 minimum warranted output	98.0%
Maximum annual degradation	0.25%
Microinverter limited product warranty covered by Enphase	25 Years



Learn more about the SPR-MAX6-XXX-E4-AC  
[sunpower.maxeon.com](http://sunpower.maxeon.com)



**MAXEON 6 AC POWER: 420-435 W | EFFICIENCY: Up to 22.5%**

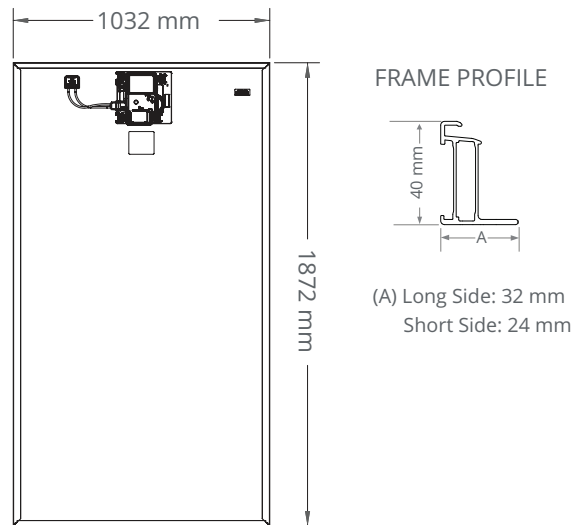
AC Electrical Data	
Inverter Model: IQ 7A	@230 VAC
Peak Output Power	366 VA
Max. Continuous Output Power	349 VA
Nom. (L-N) Voltage/Range	219 – 264 V
Max. Continuous Output Current	1.52 A
Max. Units per 20 A (L-N) Branch Circuit	10
Weighted Efficiency <sup>2</sup>	96.5%
Nom. Frequency	50 Hz
Extended Frequency Range	45-55 Hz
AC Short Circuit Fault Current Over 3 Cycles	5.8 A rms
Overvoltage Class AC Port	III
AC Port Backfeed Current	18 mA
Power Factor Setting	1.0
Power Factor (adjustable)	0.8 lead. / 0.8 lag.

DC Power Data			
	SPR-MAX6-435-E4-AC	SPR-MAX6-425-E4-AC	SPR-MAX6-420-E4-AC
Nom. Power <sup>3</sup> (Pnom)	435 W	425 W	420 W
Power Tol.	+5/0%	+5/0%	+5/0%
Module Efficiency	22.5%	22.0%	21.7%
Temp. Coef. (Power)	-0.29%/°C		
Shade Tol.	Integrated module-level max. power point tracking		

Mechanical Data	
Solar Cells	66 Maxeon 6 Cells
Tempered Glass	High-transmission tempered anti-reflective
Environmental Rating	Microinverter Outdoor rated - IP67
Frame	Class 1 black anodized
Weight	21.8 kg

Tested Operating Conditions	
Operating Temp.	-40°C to +60°C
Max. Ambient Temp.	50°C
Relative Humidity	4% to 100% (Condensing)
Max. Altitude	2000 m
Design Load <sup>4</sup>	Wind: 3600 Pa, 367 kg/m <sup>2</sup> back Snow: 5400 Pa, 551 kg/m <sup>2</sup> front
Impact Resistance	25 mm diameter hail at 23 m/s
Microinverter enclosure	Class II double-insulated, corrosion resistant polymeric enclosure

Warranties, Certifications and Compliance	
Panel Warranties <sup>1</sup>	<ul style="list-style-type: none"> <li>40-year limited power warranty</li> <li>40-year limited product warranty</li> </ul>
Microinverter Warranty	<ul style="list-style-type: none"> <li>25-year limited product warranty covered by Enphase warranty<sup>5</sup></li> </ul>
Certifications and Compliance	<ul style="list-style-type: none"> <li>IEC 61215, 61730<sup>6</sup></li> <li>IEC 62109-1, 62109-2</li> <li>IEC 61000-6-3</li> <li>AS4777.2, RCM</li> <li>IEC/ EN 50549-1:2019, G98/G99</li> <li>VDE-AR-N-4105</li> </ul>
Quality Management Certs	ISO 9001:2015, ISO 14001:2015
PID Test	1000 V: IEC 62804
LeTID Test	Draft version IEC 61215 <sup>7</sup>
Available listing	TUV <sup>6</sup> , EnTest
Green Building Certification contribution	Panels can contribute additional points towards LEED and BREEAM certifications
EHS Compliance	RoHS, OHSAS 18001:2007, REACH SVHC-201



1 40-year warranty is not available in all countries or all installations and requires registration, otherwise our 25-year warranty applies. Service availability varies by country and installation provider.  
 2 Tested per EN 50530 (EU).  
 3 Standard Test Conditions (1000 W/m<sup>2</sup> irradiance, AM 1.5, 25°C). NREL calibration standard: SOMS current, LACCS FF and voltage. All DC voltage is fully contained within the module.  
 4 As per IEC 61215-2016 tested and certified.  
 5 AC modules shall be connected to Enphase Monitoring hardware (ENVOY) to enable Enphase product warranty.  
 6 Refer to the DC module, Class C fire rating per IEC 61730.  
 7 Panels degraded 0% in extended LeTID testing conducted by PVEL. Test report R10124977G-1,2020.



Please read the safety and installation instructions. Visit [www.sunpower.maxeon.com/int/InstallGuideACModules](http://www.sunpower.maxeon.com/int/InstallGuideACModules) Paper version can be requested through [techsupport.ROW@maxeon.com](mailto:techsupport.ROW@maxeon.com)

Made in Malaysia (Cells)  
 Assembled in Malaysia (Module)  
 Specifications included in this datasheet are subject to change without notice.  
 ©2022 Maxeon Solar Technologies. All Rights Reserved.  
 View warranty, patent and trademark information at [maxeon.com/legal](http://maxeon.com/legal).

**SUNPOWER**  
 FROM MAXEON SOLAR TECHNOLOGIES

546816 REV B / A4\_EN  
 Publication Date: January 2023